

- ALL DIMENSIONS IN MILLIMETRES (mm) UNLESS NOTED OTHERWISE.
- STRUCTURAL DESIGN AND REINFORCEMENT DETAIL TO BE PROVIDED BY THE DEVELOPER AND SUBMITTED TO IRISH WATER FOR REVIEW. ROOF SLAB SHALL BE DESIGNED TO CARRY ALL LIVE LOADS, & CONSIST OF A REINFORCED CONCRETE SLAB OF IN-SITU CONCRETE, GRADE C30/37, WITH A MINIMUM THICKNESS OF 225mm. ALTERNATIVELY, PRE-CAST CONCRETE ROOFS MAY BE USED, SUBJECT TO IRISH WATER REVIEW & COMPLIANCE WITH IS EN 1917 & IS 420.
- CONCRETE FOR FLOW METER CHAMBER TO BE C30/37.
- PRECAST UNITS COMPLETED WITH RUBBER SEALING GASKET BETWEEN UNITS, COMPLYING WITH THE REQUIREMENTS OF IS EN 1917 AND IS 420, COMPLETE WITH 150mm CONCRETE SURROUND MAY BE USED AS AN ACCEPTABLE ALTERNATIVE. CONCRETE SURROUND TO BE GRADE C20/25 IN ACCORDANCE WITH IS EN 206.
- METER CHAMBER SHALL BE COVERED WITH APPROVED HEAVY DUTY METAL COVERS TO IS EN 124 RATING D400. COVER AND FRAME SHALL BE SUITABLE FOR ROAD AND TRAFFIC CONDITIONS AND IS SUBJECT TO REVIEW BY IRISH WATER.
- 200mm ALL ROUND, 100mm DEEP CONCRETE PLINTH AROUND COVER IN GRASS AREAS.
- ANTI CORROSION TAPE TO BE PROVIDED AROUND BURIED FLANGES.
- DUCTILE IRON PIPES AND FITTINGS TO BE IN ACCORDANCE WITH IS EN 545. PE PIPES AND FITTINGS TO BE IN ACCORDANCE WITH IS EN 12201:2011
- ALL CHAMBERS TO BE CHECKED FOR UPLIFT BY THE DEVELOPER BASED ON GROUND CONDITIONS WITHIN THE SITE. SHOULD ANTI FLOATATION MEASURES BE REQUIRED THEY SHALL BE SUBJECT TO REVIEW BY IRISH WATER.
- PIPEWORK TO BE DOWNSIZED TO ACCOMMODATE THE REQUIRED RANGE OF THE FLOW METER. STRAIGHT PIPE LENGTHS UPSTREAM AND DOWNSTREAM OF THE METER TO BE PROVIDED. THE METER SHALL BE CAPABLE OF ACCURATE NIGHT FLOW MEASUREMENTS.
- ALL CONCRETE TO BE IN ACCORDANCE WITH IS EN 206.
- ANY SPECIAL ROAD REINSTATEMENT AROUND COVER & FRAME SHALL BE TO ROAD AUTHORITY'S REQUIREMENTS.
- NEW ROAD CONSTRUCTION & SURFACE FINISH TO BE TO ROAD AUTHORITY REQUIREMENTS.
- EXISTING ROAD REINSTATEMENT TO COMPLY WITH CURRENT VERSION OF "GUIDELINES FOR MANAGING OPENINGS IN PUBLIC ROADS" BY THE DEPT. OF TRANSPORT, TOURISM & SPORT, OR TRANSPORT INFRASTRUCTURE IRELAND REQUIREMENTS.
- DEVELOPER TO PROVIDE SPOOL PIECE, IRISH WATER TO PROVIDE METER. (SEE TABLE BELOW FOR SPOOL PIECE LENGTHS)

ELECTROMAGNETIC WATER METER SPOOL PIECE LENGTHS							
Ø mm	DN50	DN80	DN100	DN125	DN150	DN200	DN250
Length mm	200		250		300	350	450

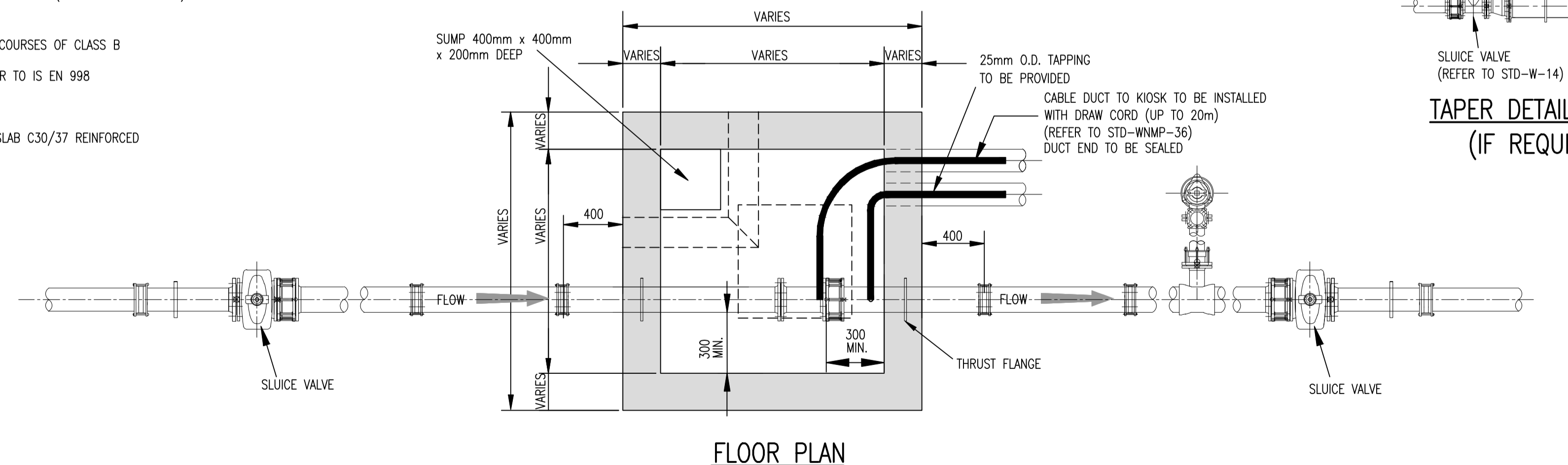
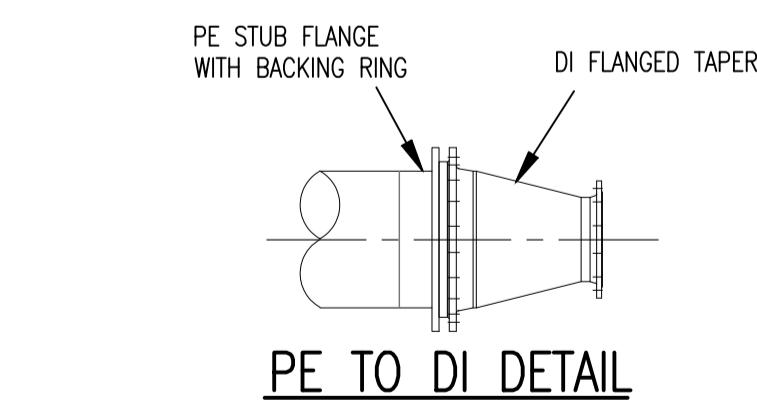
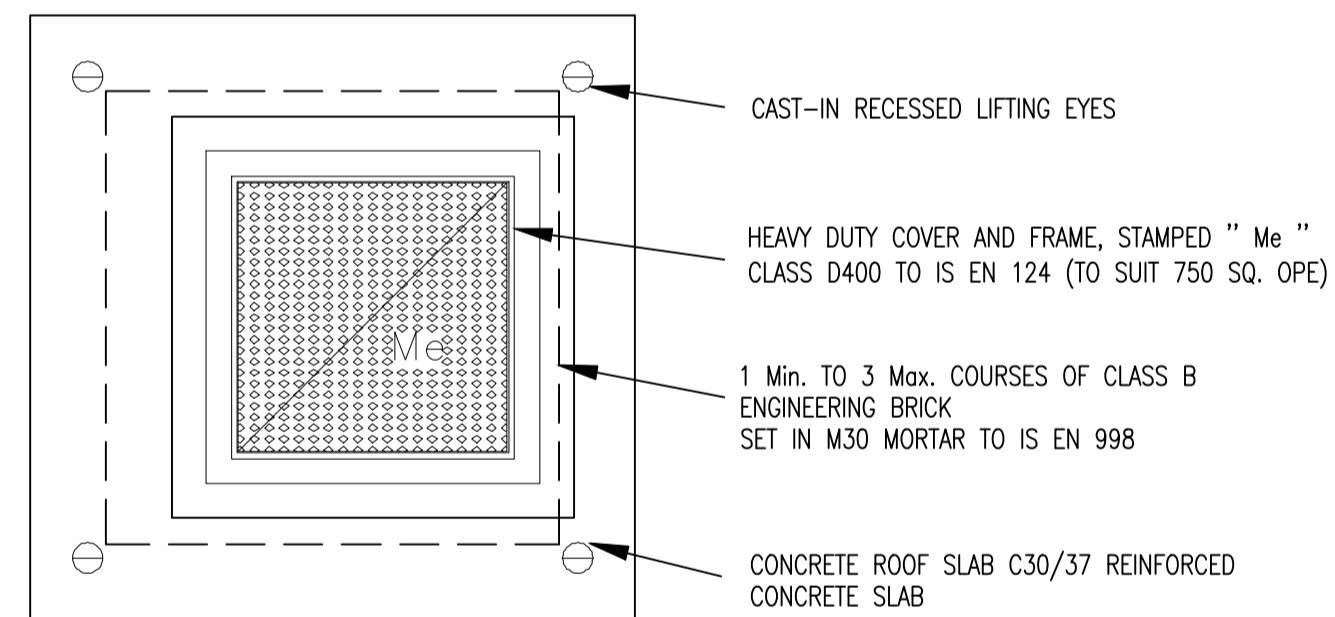
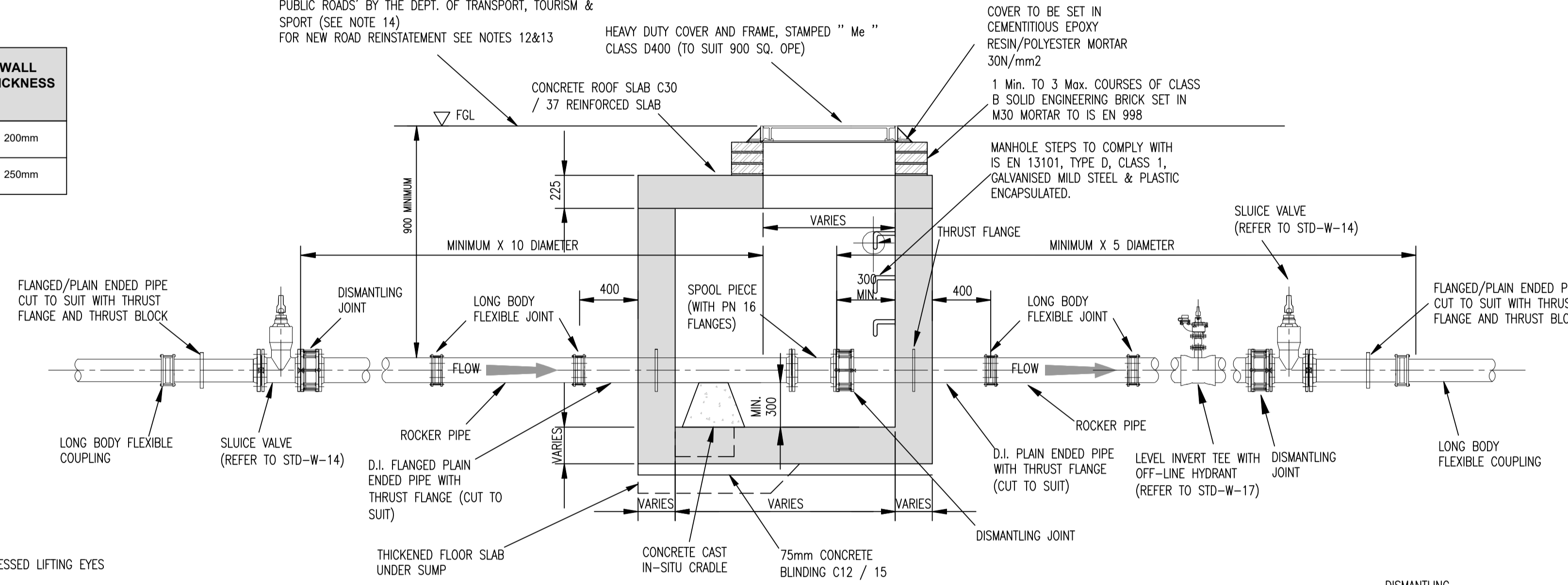
METER DIAMETER 'A' (mm)	INTERNAL CHAMBER DIMENSIONS	COVER DIMENSIONS	FLOOR SLAB DEPTH	WALL THICKNESS
50 - 100	1200 x 1200	750 x 750	200mm	200mm
101 - 250	1500 x 1500	900 x 900	250mm	250mm

EXISTING ROAD REINSTATEMENT TO COMPLY WITH CURRENT VERSION OF 'GUIDELINES FOR MANAGING OPENINGS IN PUBLIC ROADS' BY THE DEPT. OF TRANSPORT, TOURISM & SPORT (SEE NOTE 14) FOR NEW ROAD REINSTATEMENT SEE NOTES 12&13

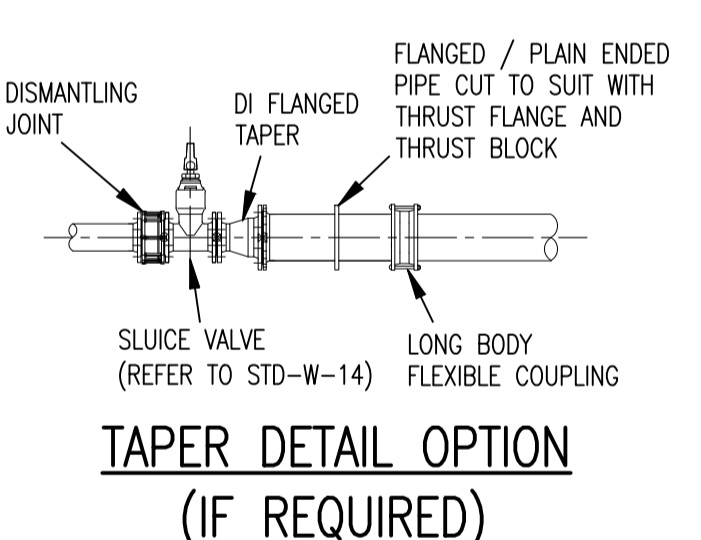
HEAVY DUTY COVER AND FRAME, STAMPED "Me" CLASS D400 (TO SUIT 900 SQ. OPE)

COVER TO BE SET IN CEMENTITIOUS EPOXY RESIN/POLYESTER MORTAR 30N/mm²
1 Min. TO 3 Max. COURSES OF CLASS B SOLID ENGINEERING BRICK SET IN M30 MORTAR TO IS EN 998

MANHOLE STEPS TO COMPLY WITH IS EN 13101, TYPE D, CLASS 1, GALVANISED MILD STEEL & PLASTIC ENCAPSULATED.



WATER METER DETAIL



- NOTES:
- DO NOT SCALE. USE FIGURED DIMENSIONS ONLY.
 - THIS DRAWING IS TO BE READ IN CONJUNCTION WITH ALL OTHER RELEVANT ARCHITECTURAL AND ENGINEERING DRAWINGS.
 - WATERMANS SHALL BE LAID IN ACCORDANCE WITH THE LOCAL AUTHORITY/IRISH WATER SPECIFICATION FOR THE LAYING OF NEW WATERMANS AND BYLAWS WHICH OVER-RIDE THESE NOTES. THE CONSTRUCTION OF THE WATERMAIN SHALL BE IN ACCORDANCE WITH THE BEST CURRENT PRACTICE AND THE LATEST EDITIONS OF THE RELEVANT STANDARDS AND CODES OF PRACTICE.
 - WATERMANS SHALL NOT BE LAID UNDER WALLS OR AREAS DESIGNATED FOR TREES/SHRUBS/FLOWERS.
 - PIPES SHALL BE HDPE (BLUE PIPE) UNLESS NOTED OTHERWISE BY AGREEMENT WITH THE LOCAL AUTHORITY. DUCTILE IRON PIPES SHALL BE USED UNDER ROADS OF CLASSIFICATION "DISTRICT DISTRIBUTOR" UPWARDS UNLESS NOTED OTHERWISE.
 - PIPES SHALL CONFORM TO THE UK WATER INDUSTRY SPECIFICATION OR EQUIVALENT E.U. SPECIFICATION.
 - DUCTILE IRON (DI) PIPES SHALL CONFORM TO IS EN 545 AND SHALL HAVE MINIMUM C40 PRESSURE RATING. DUCTILE IRON FITTINGS SHALL HAVE 16 BAR RATING AT LEAST DI PIPEWORK SHALL BE COATED INTERNALLY WITH A BLAST FURNACE CEMENT LINING WHICH COMPRISES WITH THE REQUIREMENTS OF BS 6920. EXTERNAL PROTECTION SHALL INCLUDE AN ALLOY OF ZINC AND ALUMINUM WITH A MINIMUM 15% ALUMINUM WITH OR WITHOUT OTHER MATERIALS HAVING A MASS OF 400g/m² COMPETE WITH A FINISHING LAYER OF BLUE FUSION BONDED EPOXY IN ACCORDANCE WITH IS EN 14901.
 - WATERMANS SHALL BE LAID UNDER FOOTPATHS PREFERABLY OR GRASS MARGINS WHERE APPROVED. NO PIPE, CONDUIT, CABLE OR OTHER SERVICE SHALL BE LAID LONGITUDINALLY OVER THE LINE OF A WATERMAIN. NO CABINET POLES, JUNCTION BOXES OR CHAMBERS SHALL BE CONSTRUCTED OVER A WATERMAIN.
 - THE MINIMUM COVER TO A WATERMAIN SHALL BE 750mm, THE MAXIMUM COVER SHALL BE 900mm UNLESS NOTED OTHERWISE.
 - CONNECTIONS TO THE MAINS WHICH ARE THE PROPERTY OF THE IRISH WATER CAN BE MADE BY THE IRISH WATER ONLY. NO OTHER PERSON MAY INTERFERE IN ANY WAY WITH THESE MAINS. SUCH CONNECTIONS WILL BE MADE BY IRISH WATER AT THE EXPENSE OF THE PERSONS REQUIRING THEM. THE ESTIMATED COST OF SUCH CONNECTIONS MUST BE LODGED WITH IRISH WATER BEFORE THE WORK IS UNDERTAKEN.
 - IT IS THE CONTRACTORS RESPONSIBILITY TO ENSURE THAT ALL WORKS ARE CONSTRUCTED IN ACCORDANCE WITH THE IRISH WATER CODE OF PRACTICE AND STANDARD DETAILS. THE CODE OF PRACTICE AND STANDARD DETAILS ARE AVAILABLE TO DOWNLOAD FROM THE IRISH WATER WEB SITE AT WWW.WATER.IE/CONNECTIONS/DEVELOPER-SERVICES/ WHERE THE DETAILS CONTAINED ON THIS DRAWING DIFFER FROM THE IRISH WATER CODE OF PRACTICE OR STANDARD DETAILS THIS MUST BE BROUGHT TO THE ATTENTION OF THE ENGINEER IMMEDIATELY. IRISH WATER STANDARDS WILL TAKE PRECEDENCE.
 - IRISH WATER APPROVED BOUNDARY BOXES AND COVERS BS 58 34-2, AND IN ACCORDANCE WITH ALL REQUIREMENTS OF IRISH WATER CODE OF PRACTICE AND IRISH WATER STANDARD DRAWING STD-W-03.

1:25	0	0.5	1.0	1.5	2.0	2.5m					
1:1	0	10	20	30	40	50	60	70	80	90	100m
B	07/04/22	REVISED FOR NEW PLANNING APPLICATION	PJD	MD							
A	07/04/21	REVISED FOR FINAL SUBMISSION	PJD	MD							
REV. DATE	AMENDMENT		DRN	APPD							

STATUS **PLANNING**

Waterman Moylan
Engineering Consultants

BLOCK 8, EASTPOINT BUSINESS PARK, ALFIE BYRNE ROAD, DUBLIN D03 H3F4 IRELAND.
Tel: (01) 664 8900 Fax: (01) 661 3618
Email: info@waterman-moylan.ie www.waterman-moylan.ie

CLIENT **KINWEST LTD.**
ARCHITECT **CONROY CROWE KELLY ARCHITECTS**

PROJECT **AUBURN SHD 2**

TITLE **WATERMAIN CONSTRUCTION DETAILS
SHEET 4 OF 4**

DRAWN	DESIGNED	APPROVED	DATE
PJD	MD	MD	APR '20
SCALE	JOB NO.	DRG. NO.	REVISION
1:25 @ A1	19-020	P313	B